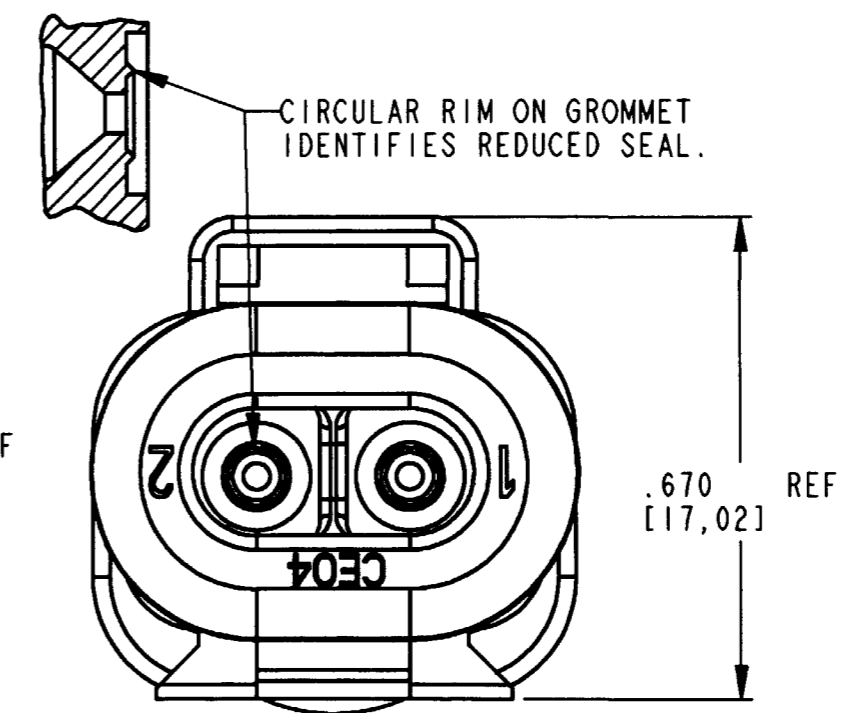
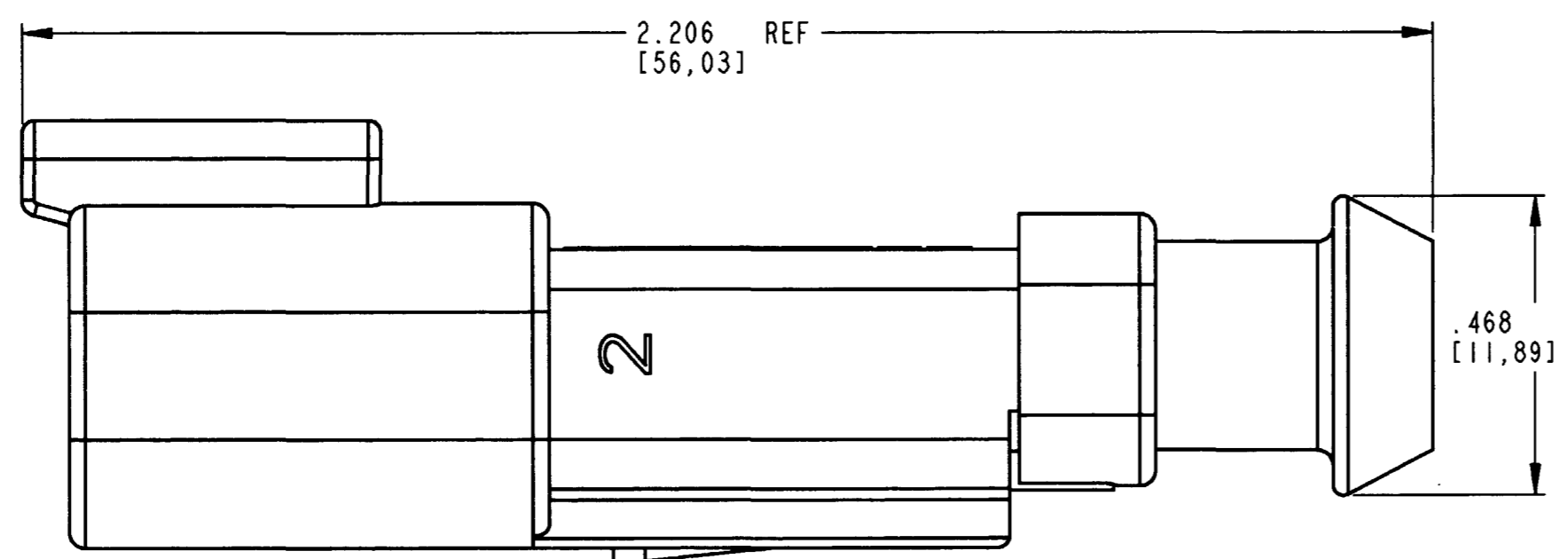
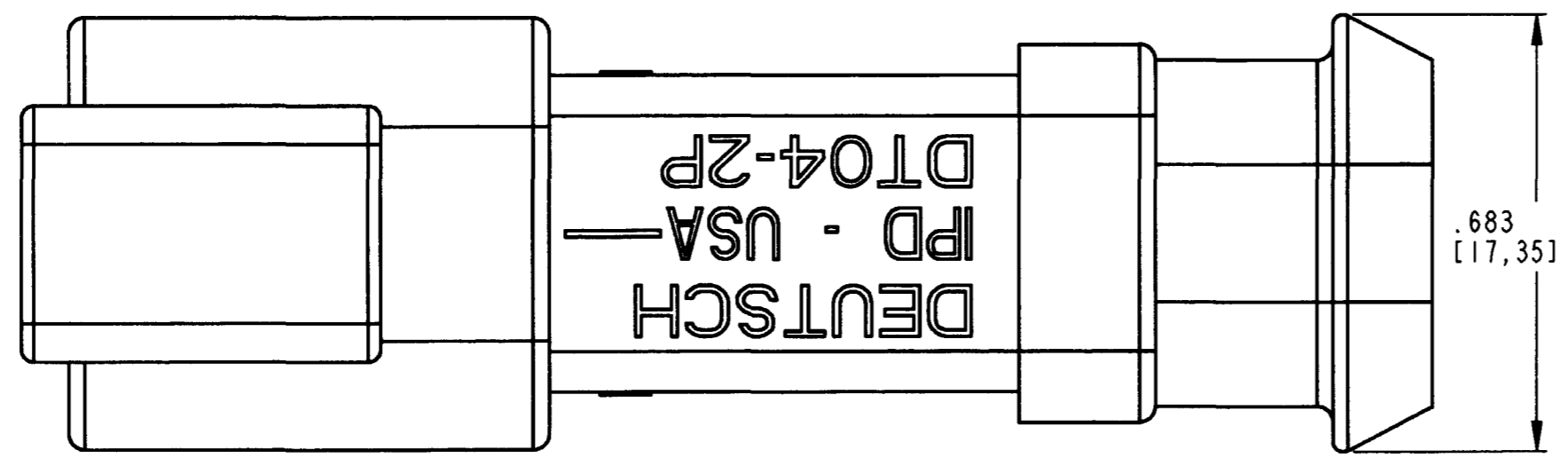


REV
NC DT04-2P-CE04

REVISIONS			
SYM	DESCRIPTION	DATE	APPROVED
NC	NEW RELEASE PER E.O. P15029	3-28-96	<i>RR</i>



RECOMMENDED WIRE	
SIZE	INSULATION O.D.
14-18 AWG	.053 - .130 [1.35 - 3.05]

NOTES: 2. ALL DIMENSIONS ARE IN INCHES [METRIC].
1. ALL DIMENSIONS ARE FOR REFERENCE ONLY.

SIGNATURE & DATE	
DR	V. TOMSA MAR-15-96
CHK	
PE	<i>William Tomson</i> PAR-18-96
APPD	<i>RR</i> 3-29-96
SCALE	6:1 WT

2 WAY RECEPTACLE
REDUCED SEAL
DT SERIES

ENVELOPE

MATERIAL CODE	
CP	The Deutsch Company DEUTSCH I.P.D. 37140 INDUSTRIAL AVE. HEMET, CALIF. 92545
B	DT04-2P-CE04
DWG SIZE	CODE 11139 SHEET OF